

ARMA - JNB

Indoor Led Power Supply

ARMALED AYDINLATMA ELEMANLARI
İMALAT SANAYİ VE TİCARET. A.Ş.
Ümraniye İstanbul Türkiye
Tel: +90 216 365 4646
E-mail: info@armaled.com.tr www.armaled.com.tr



Brief Information

Powermax™
Technology Inside

60W

Power Supply (C.V.)

Model JLV-12060K / JLV-24060K

Input 170~250V AC

Output 12VDC 5A 60W / 24VDC 2.5A 60W

Model: JLV-12060K (12V) Size: 110*78*35mm
JLV-24060K (24V)



Product Features

- Compact size, easy for installation
- High transfer efficiency
- Endurable & stable quality
- 100% full loading, 100% burn-in tested
- Overload/short circuit protection

MAIN ELECTRICAL DATA

AC Input

Input Voltage	170~250V
Input Frequency	50/60Hz
Efficiency (Typ.)	82%
Input Current	230V: 1A max.
Inrush Current	40A
Leakage Current	3mA/230VAC

DC Output

Output Voltage	12V	24V
Rated Current	5A	2.5A
Rated Power	60W	60W
Ripple & Noise (Max.)	<100mVp-p	<100mVp-p
Setup, Rise Time	1500ms/230VAC	1500ms/230VAC
Line Regulation	1%	1%
Load Regulation	1%	1%

Service Environment

Working Temp.	-30°C~60°C
Working Humidity	20~90%RH
Storage Temp.	-40°C~80°C
Storage Humidity	10~95%RH

Protection

Overload	Yes, cut-off mode, output shuts down if 5-30% overloaded, automatic recovery
Short Circuit	Yes, hiccup mode, recovers automatically after fault condition is removed

Safety

Safety Standard	EN 61347-2-13
Withstand Voltage	I/P-O/P: 3.75KVAC I/P-GND: 1.5KVAC O/P-GND: 0.5KVAC
Isolation Resistance	I/P-O/P: >100M Ohms / 500VDC /25°C / 70%RH

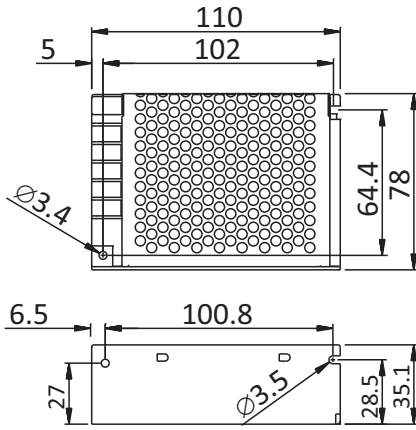
Packaging Information

Product Dimension	110*78*35mm
Products Net Weight	270G
PCS/Carton(QTY)	50 PCS
Master Carton Size	45*26*22.5cm
G. Weight/ Carton	15KG

Installation Tips:

- Please identify the power supply's input and output before installation.
- Ensure correct output + & - wire connection.
Power on after wire connection is done.
- To avoid voltage drop and loading capacity wasting on the output extension wire, please install the power supply to the loading as near as possible, if must use long extension wires, thicker wires and less loading wattage is required.
- The power supply to be installed at good ventilation and cooling environment.

Physical Drawing



Unit: mm

Brief Information

Powermax™
Technology Inside

60W

Power Supply (C.V.)

Model JLV-12060K / JLV-24060K

Input 170~250V AC

Output 12VDC 5A 60W / 24VDC 2.5A 60W

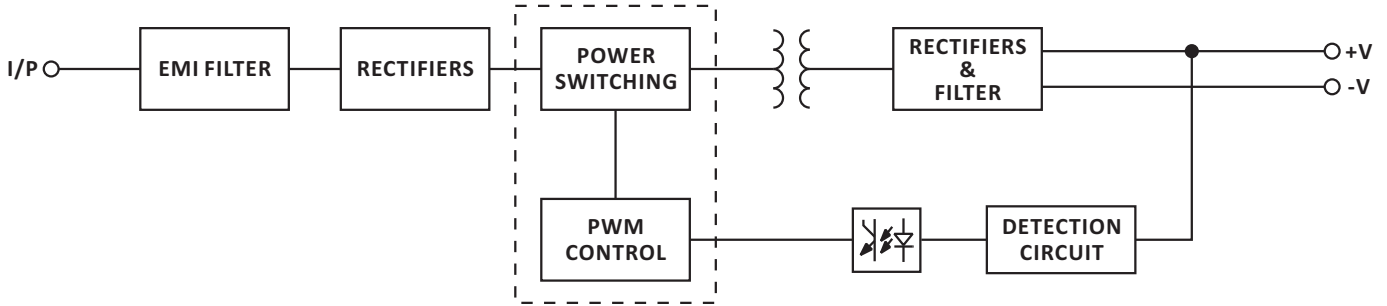
Input & Output:

HB-825-5 Screw Terminals

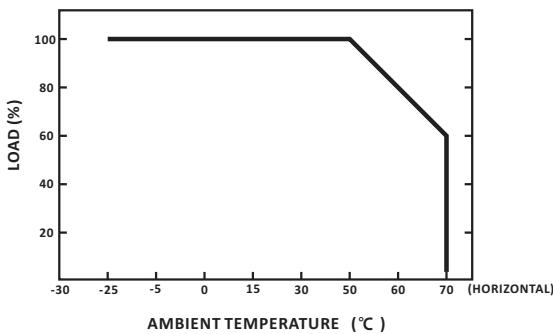
With inflaming retarding cover

Housing: Aluminium

Block Diagram



Derating Curve



Static Characteristics

