

ARMA - JNB

Indoor Led Power Supply

ARMALED AYDINLATMA ELEMANLARI
İMALAT SANAYİ VE TİCARET. A.Ş.
Ümraniye İstanbul Türkiye
Tel: +90 216 365 4646
E-mail: info@armaled.com.tr www.armaled.com.tr



Model: JLV-12200K (12V) Size: 199*98*42mm
JLV-24200K (24V)



Brief Information

Powermax™
Technology Inside

200W

Power Supply (C.V.)

Model JLV-12200K / JLV-24200K

Input 170~250V AC

Output 12VDC 16.7A 200W / 24VDC 8.3A 200W

Product Features

- Compact size, easy for installation
- High transfer efficiency
- Endurable & stable quality
- 100% full loading, 100% burn-in tested
- Overload/short circuit protection

MAIN ELECTRICAL DATA

AC Input

Input Voltage	170~250V
Input Frequency	50/60Hz
Efficiency (Typ.)	82%
Input Current	230V: 2.4A max.
Inrush Current	40A
Leakage Current	5mA/120VAC

DC Output

Output Voltage	12V	24V
Rated Current	16.7A	8.3A
Rated Power	200W	200W
Ripple & Noise (Max.)	<500mVp-p	<500mVp-p
Setup, Rise Time	1500ms/120VAC	1500ms/120VAC
Line Regulation	1%	1%
Load Regulation	1%	1%

Service Environment

Working Temp.	-30°C~60°C
Working Humidity	20~95%RH
Storage Temp.	-40°C~80°C
Storage Humidity	10~95%RH

Protection

Overload	Yes, cut-off mode, output shuts down if 5-30% overloaded, automatic recovery
Short Circuit	Yes, hiccup mode, recovers automatically after fault condition is removed

Safety

Safety Standard	EN 61347-2-13
Withstand Voltage	I/P-O/P: 3.75KVAC I/P-GND: 1.5KVAC O/P-GND: 0.5KVAC
Isolation Resistance	I/P-O/P: >100M Ohms / 500VDC /25°C / 70%RH

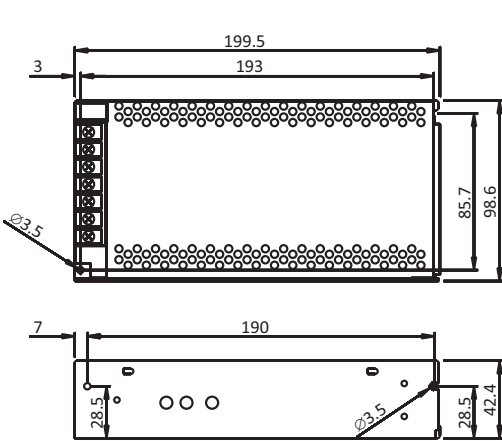
Packaging Information

Product Dimension	199*98*42mm
Products Net Weight	550G
PCS/Carton(QTY)	20 PCS
Master Carton Size	42.5*25.5*23.5cm
G. Weight/ Carton	17KG

Installation Tips:

- Please identify the power supply's input and output before installation.
- Ensure correct output + & - wire connection.
Power on after wire connection is done.
- To avoid voltage drop and loading capacity wasting on the output extension wire, please install the power supply to the loading as near as possible, if must use long extension wires, thicker wires and less loading wattage is required.
- The power supply to be installed at good ventilation and cooling environment.

Physical Drawing



Brief Information

Powermax™
Technology Inside

200W

Power Supply (C.V.)

Model JLV-12200K / JLV-24200K

Input 170~250V AC

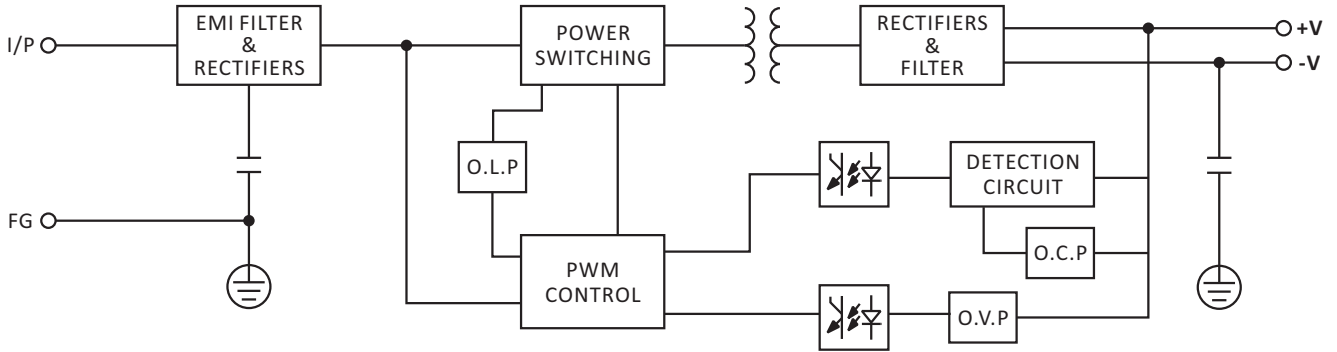
Output 12VDC 16.7A 200W / 24VDC 8.3A 200W

Input & Output:

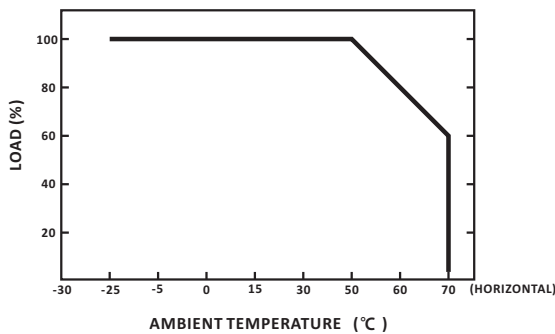
9500-7P Screw Terminals With Cover
 inflaming retarding

Housing: Aluminium

Block Diagram



Derating Curve



Static Characteristics

